

NAF AB started its activities in 1899 and today it's an integral part of the FLOWSERVE Corporation - the world's foremost specialist in intelligent solutions of industrial flow control. This gives NAF even more resources to invest in the future and continue as a leading supplier of advanced control units, actuators and valves, giving total control and safe operation in the Pulp and Paper, Chemical and Petro Chemical, Oil and Gas, Power and Steelworks industries in more than 40 countries.

Product	Size Range	Pressure Class
NAF ProCap	DN 500/700 (20"/28")	PN 16-25
	DN 600/800 (24"/32")	ANSI 150
	DN 750/950 (30"/38")	
NAF Duball DL	DN 25-400 (1"- 16")	PN 10-40 ANSI 150, 300
NAF Trunnball DL	DN150-900 (6"-36")	PN 10-40 ANSI 150, 300
NAF Setball	DN 25-700 (1"-28")	PN 10-40 ANSI 150, 300
NAF Setball SF	DN 25-250 (1"-10")	PN 10-40 ANSI 150, 300
NAF Setball MC	DN 80-400 (3"-16")	PN 16-40 ANSI 150,300
NAF Torex	DN 80-700 (3"-28")	PN 10-40 ANSI 150, 300
	DN 450, 800-1000 (NAF Unex)	PN 10
NAF Turnex	100-20 000 Nm	
NAF Basis weight	DN 25-300 (1"-12")	PN 10-40 ANSI 150, 300
NAF Duball DL Pocket Valve	DN 80-200 (3"-8")	PN 10-40 ANSI 150, 300
NAF Duball DL Ceramic Valve	DN 25-150 (1"-6")	PN 40 ANSI 300
NAF Triball	DN 10-100	PN 40
NAF Check	DN 40-1000 (2"-24")	PN 25-40 ANSI 150, 300
Wedge gate valves	DN 80-500	PN 10-16
Safety valves	DN 15-250	PN 6-100
NAF Navalball	DN 15-300	PN 16-40



NFENFL0004-01-A4 10/17

To find your local Flowserve representative:

For more information about Flowserve Corporation, visit www.flowserve.com or call USA 1 800 225 6989

Flowserve Corporation has established industry leadership in the design and manufacture of its products. When properly selected, this Flowserve product is designed to perform its intended function safely during its useful life. However, the purchaser or user of Flowserve products should be aware that Flowserve products might be used in numerous applications under a wide variety of industrial service conditions. Although Flowserve can (and often does) provide general guidelines, it cannot provide specific data and warnings for all possible applications. The purchaser/user must therefore assume the ultimate responsibility for the proper sizing and selection, installation, operation, and maintenance of Flowserve products. The purchaser/user should read and understand the Installation Operation Maintenance (IOM) instructions included with the product, and train its employees and contractors in the safe use of Flowserve products in connection with the specific application.

While the information and specifications contained in this literature are believed to be accurate, they are supplied for informative purposes only and should not be considered certified or as a guarantee of satisfactory results by reliance thereon. Nothing contained herein is to be construed as a warranty or guarantee, express or implied, regarding any matter with respect to this product. Because Flowserve is continually improving and upgrading its product design, the specifications, dimensions and information contained herein are subject to change without notice. Should any question arise concerning these provisions, the purchaser/user should contact Flowserve Corporation at any one of its worldwide operations or offices.

© 2014 Flowserve Corporation, Irving, Texas, USA. Flowserve is a registered trademark of Flowserve Corporation.

NAF AB

SE-581 87 LINKÖPING
SWEDEN

Phone: +46 13 - 31 61 00

Fax: +46 13 - 13 60 54

E-mail: salesnaf@flowserve.com

www.flowserve.com

www.naf.se

NAF Product Overview



NAF Duball DL

Reliable two-piece ball valve for a tight shut-off. Designed for the most demanding applications. Available with Z-trim for elimination of cavitation and noise when used for control.



NAF ProCap

The Capping Valve from NAF ensure safe, time saving processing of wood chips in pulp batch digesters.



Performance!

The Performance! sizing and selection program helps you identify the control valve package best suited to each set of service conditions.

Wedge gate valves

Wedge gate valves for shut-off service in demanding applications.



NAF Setball / NAF Setball MC / NAF Setball SF

V-port ball sector valve with excellent control valve characteristics. With the Z-trim option, problems with cavitation and high noise levels can be avoided.



NAF Trunnball DL

Metal- and soft seated trunnion-mounted ball valve suitable for control, on-off and isolation. Z-trim option for elimination of cavitation and decreased noise.



NAF Duball DL Pocket Valve

The NAF Duball DL Pocket Valve is installed for safe removal of sand and fine debris out of the process as effectively as possible while maintaining process pressure.



NAF Basis weight

Basis Weight Control valve for paper machines. The optimal solution for accurate control!



Safety valves

Safety valves for liquids and gases.



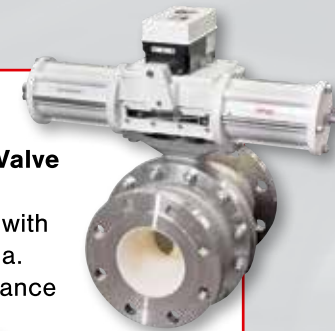
NAF Torex

High performance butterfly valve. Triple offset disc for tight shut-off and to eliminate seat wear.



NAF Duball DL Ceramic Valve

Ball valve for applications with erosive and abrasive media. Designed for less maintenance and longer lifetime.



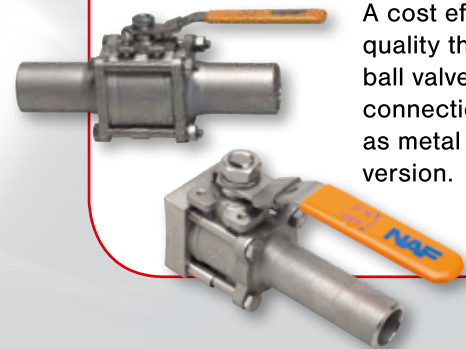
NAF LinkIT

A high performance intelligent positioner with high air capacity and unique possibilities for diagnostics.



NAF Triball

A cost efficient, high quality three-piece ball valve, with various connections. Available as metal or soft seated version.



NAF Turnex

Heavy-duty actuator for high performance modulating control.



NAF Check

Tilting disc check valve. Unique design provides excellent tightness and minimizes pressure shocks.



NAF Navalball

Welded ball valves suitable for a wide range of applications.

